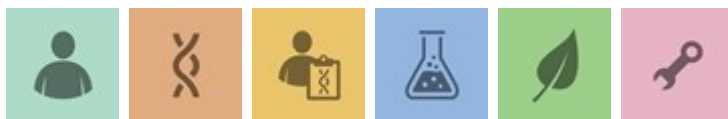


PolyFan

VSB30



The Laboratory Systems Group range of polyfans are specifically engineered to suit high volume ventilation applications. Constructed from premium quality materials, the VSB-series polyfan range incorporate a highly corrosive-resistant fully metal-free casing with a high efficiency fully balanced impellor.

- Available in a range of sizes to meet a wide range of applications.



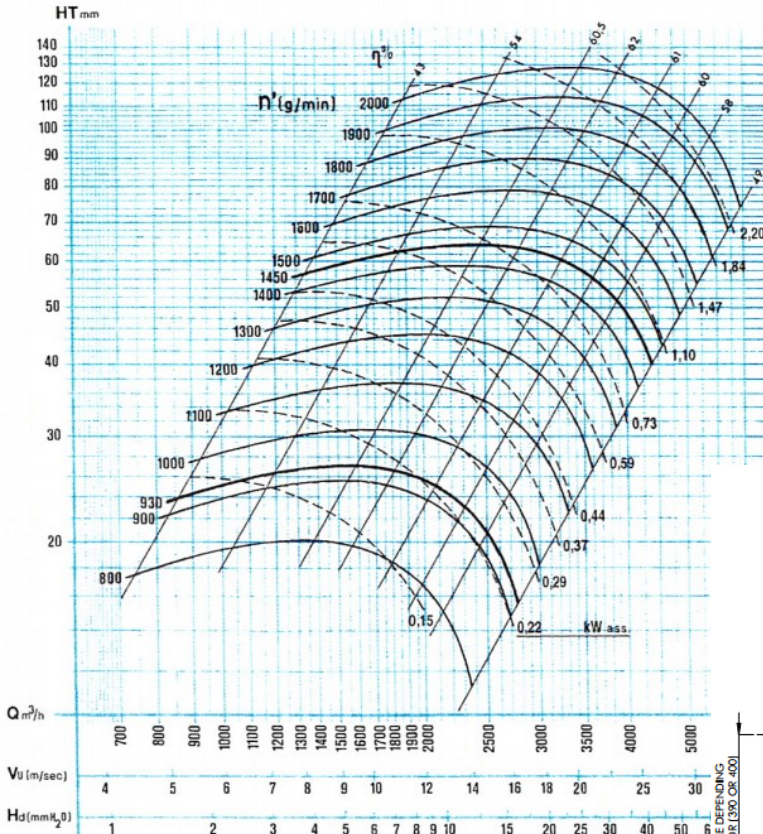
Features

- Polypropylene Casing and Impellor
- Hot-Dipped Galvanised Frame provides years of trouble free operation
- IP-56 Rated motor to suit application
- Polyurethane Inlet and outlet flexibles with Stainless Steel bands supplied as standard
- Case can be rotated to exhaust at any of eight positions
- Available in both Left-Hand and Right-Hand orientation

Ver 17/06

Polyfan

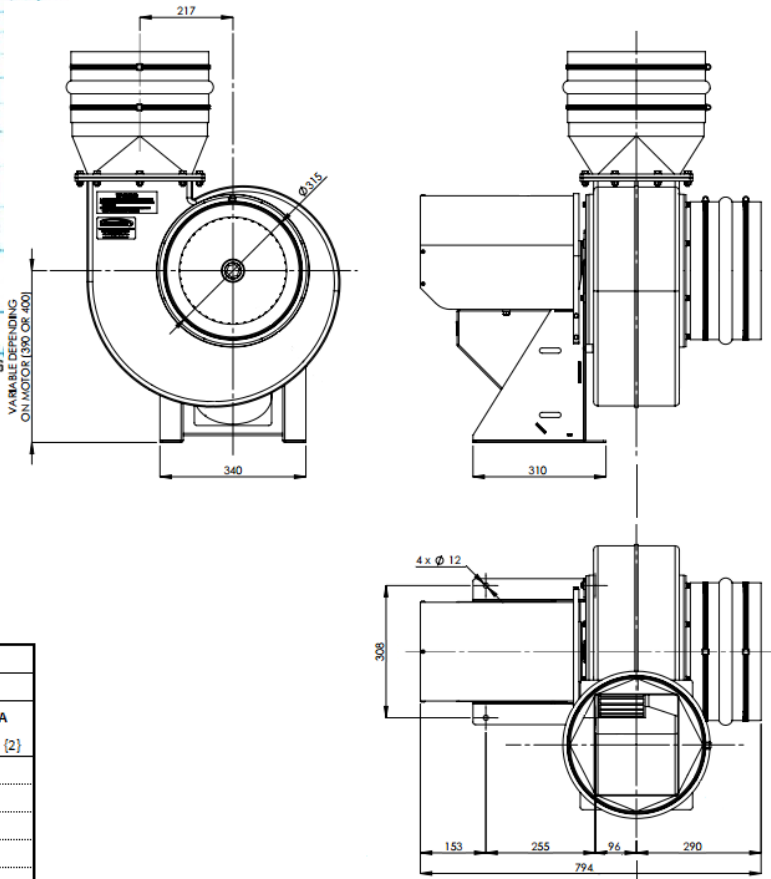
VSB30



Optional Features

- Motor selected to suit your application
- Tropics Motor Cover
- Casing Outlet Orientation to suit your application
- Fan Frame Material
- Motor wiring configuration—Can be supplied wired for 220v DELTA operation (default) or 415v STAR on request

DIMENSIONS	VSB30
Inlet/Outlet Diameter (MM)	315
Height (Approx. MM)	900
Width (Approx. MM)	610
Depth (Approx. MM)	795
Weight (Approx. Kg)	38



Acoustic Level according to DIN 45635										
Free entry / free exit acoustic power level according to d. 'A'; Lw5A=Lw6A										
Speed [1/min]	Averaged octave bands [Hz]								Lp5A=Lp6A	Lp2A
	63	125	250	500	1000	2000	4000	8000	dB(A) [1]	dB(A) [2]
2200	72	80	93	85	83	79	72	62	85	75
1800	66	83	78	79	77	72	65	55	77	69
1450	61	77	72	73	71	65	58	48	71	62
1200	56	72	67	67	65	59	51	41	66	57
950	50	65	60	60	57	51	43	32	59	49
700	52	50	53	53	49	43	35	24	50	41
500	41	38	40	40	36	29	21	9	37	28

[1] Free entry / free exit acoustic pressure level at 1.0m distance Lp5A=Lp6A

[2] Measurement area acoustic pressure level at 1.0m distance Lp2A with connected pipework

VSB30 default motor configuration is 1.5kw/4-pole/3-phase supplied wired for 220v DELTA wiring for VSD control.

All VSB Series Fans incorporate a 20mm drain fitted at the lowest point in the case.