

PolyFan

VSB25



The Laboratory Systems Group range of polyfans are specifically engineered to suit high volume ventilation applications. Constructed from premium quality materials, the VSB-series polyfan range incorporate a highly corrosive-resistant fully metal-free casing with a high efficiency fully balanced impellor.

- Available in a range of sizes to meet a wide range of applications.

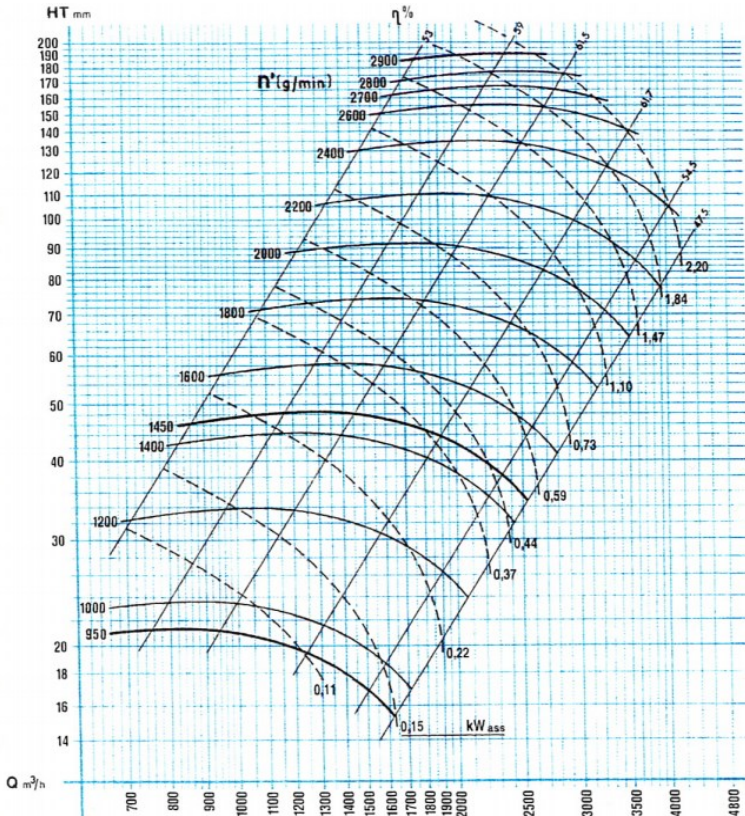
Features

- Polypropylene Casing and Impellor
- Hot-Dipped Galvanised Frame provides years of trouble free operation
- IP-56 Rated motor to suit application
- Polyurethane Inlet and outlet flexibles with Stainless Steel bands supplied as standard
- Case can be rotated to exhaust at any of eight positions
- Available in both Left-Hand and Right-Hand orientation

Rev 17/06

Polyfan

VSB25



DIMENSIONS	VSB25
Inlet/Outlet Diameter (MM)	250
Height (Approx. MM)	800
Width (Approx. MM)	520
Depth (Approx. MM)	530
Weight (Approx. Kg)	36

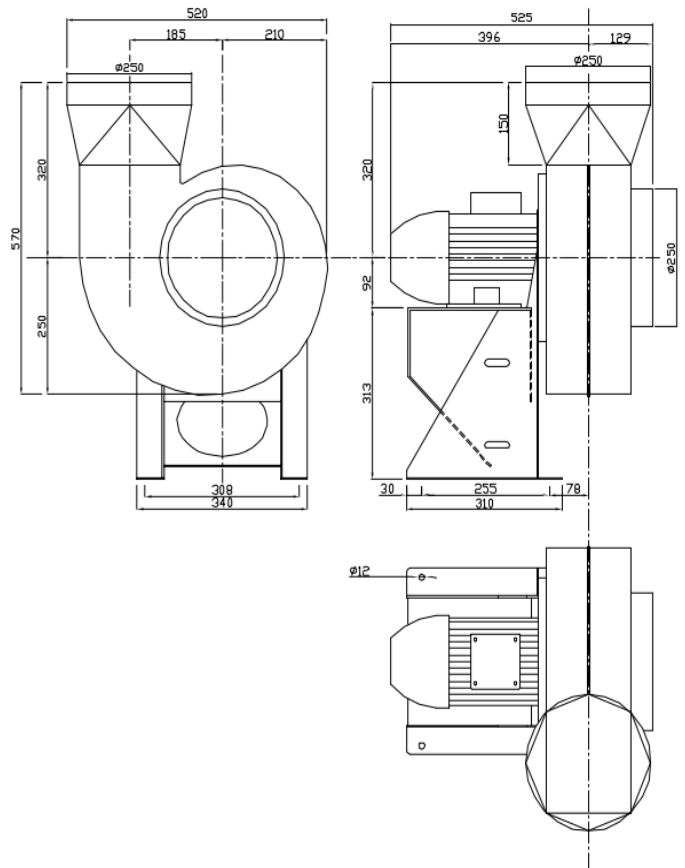
Acoustic Level according to DIN 45635										
Free entry / free exit acoustic power level according to d. 'A'; Lw5A=Lw6A										
Speed [1/min]	Averaged octave bands [Hz]								Lp5A=Lp6A dB(A) [1]	Lp2A dB(A) [2]
	63	125	250	500	1000	2000	4000	8000		
2850	71	79	93	86	84	80	73	64	86	76
2500	68	76	89	82	80	76	69	59	82	72
2200	64	72	86	78	75	72	65	55	78	68
1800	59	76	71	72	70	65	58	48	70	62
1450	54	70	65	66	63	58	51	40	64	55
1200	49	65	59	60	57	52	44	34	59	49
950	42	58	52	53	50	44	36	25	52	42
700	45	42	45	45	42	36	28	17	42	34

[1] Free entry / free exit acoustic pressure level at 1.0m distance Lp5A=Lp6A

[2] Measurement area acoustic pressure level at 1.0m distance Lp2A with connected pipework

Optional Features

- Motor selected to suit your application
- Tropics Motor Cover
- Casing Outlet Orientation to suit your application
- Fan Frame Material
- Motor wiring configuration—Can be supplied wired for 220v DELTA operation (default) or 415vSTAR on request



VSB25 default motor configuration is 1.5kw/4-pole/3-phase supplied wired for 220v DELTA wiring for VSD control. All VSB Series Fans incorporate a 20mm drain fitted at the lowest point in the case.